

ALC4

Modular LED RGB+W Lighting Fixture

Preliminary data sheet

General Specification

- Cyclorama fixture for Theatre and TV Studio Lighting.
- Dynamic RGB + White fixture with 4 x 40 W Lixel LED Source, factory calibrated.
- Color Consistency : 5 SDCM (Standard Deviation of Color Matching).
- Controlled by DMX512 with XLR-5 in-Through (5 Parameters – extended mode 20 Parameters).
- Even light distribution through high quality asymmetrical reflector.
- Full RGB + White allowing more than One Million colours, including pure yellow and soft ambers.
- Compact, light weight Unit.

User Benefits

- Uniform colour mixing in LED source, avoiding coloured shadows and visible pixels.
- Uniform “selectable” warm-white 2700 K to daylight 6500 K.
- Optical feedback circuit, per LED source, guarantees consistency in colour, white and light output.
- Creation of various background illuminations and / or effects.
- 7 “calibrated” preset “White” levels between 2700 K and 6500 K.
- Smooth, flicker-free light output, no colour or white changes when dimmed.
- High efficiency, energy saving compared to halogen fixtures.
- Inter-spaced for even light distribution.
- Removable asymmetrical reflector allowing other beam controlling accessories.



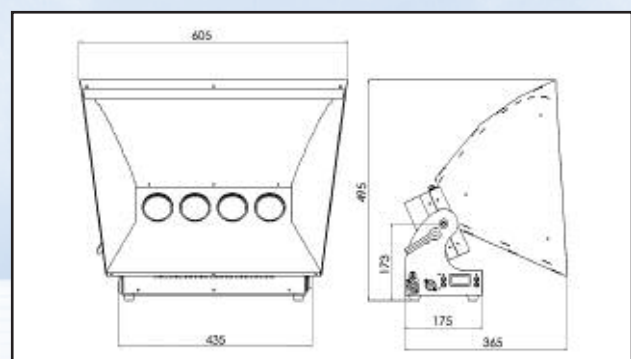
Technical Specifications

- Total Power: 160 W Led module (4 x LED source Lixel 40 W).
- Power Supply: 230 – 50 Hz +/- 10 %.
- Maximum Ambient operating Temp: 40 °C.
- Lifetime: 35 000 h.
- Reinforced Aluminum sheet Light Box with corrosion free black powder-coated body.
- High brilliance aluminum reflector.
- Powercon supply connector out, for daisy chain.

Delivered with:

- A fixing plate for standard hook clamp.
- Powercon supply cable 2 m without plug on one end.

Dimensions: 605 mm x 495 mm x 365 mm
(with Asymmetrical Reflector Accessory)



ADB - Your Partner for Light

Belgium N.V. ADB-TTV Technologies S.A.

(Group Headquarters) Leuvensesteenweg 585, B-1930 Zaventem
Tel : 32.2.709.32.11, Fax : 32.2.709.32.80, E-Mail : adb@adblighting.com

Deutschland ADB GmbH

Boschstrasse 3, D-61239 Ober-Mörlen
Tel : 49.6002.93.933.0, Fax : 49.6002.93.933.33, E-Mail : info@adblighting.de

France ADB S.A.S.

Sales Office: 168/170, boulevard Camélinat F-92240 Malakoff
Tel : 33.1.41.17.48.50, Fax : 33.1.42.53.54.76, E-Mail : adb.fr@adblighting.com

Factory & Group Logistics Centre: Zone industrielle Rouvroy F-02100 Saint-Quentin
Tel : 33.3.23.06.35.70, Fax : 33.3.23.67.66.56, E-Mail : adb.fr@adblighting.com

ADB
Lighting Technologies

DS-7063-E-06m Subject to modifications